

STANDARD EQUIPMENT

- Automatic levelling outriggers
- Emergency hand pump
- Cylinder holding valve
- Hour meter
- Momentum device
- Load cell
- Hydraulic Jib
- Rubber tracks
- Hydraulically adjustable tracks width
- 230V - 16 A electro-pump for indoor use
- Air / Water outlet in the platform
- 230V - 16 A outlet in the platform
- Honda GX390 petrol engine - 8.2 kW 3600 rpm
- Yanmar L100N diesel engine - 6.5 kW 3600 rpm
- Removable wired control box
- Double speed traction

OPTIONALS

- 12 V emergency electro-pump
- Non-marking rubber tracks
- Oversized outrigger pads (Ø 350 mm)
- Wireless radio-control box
- Working light in the platform
- Kit IMERVIEW



BENEFITS

- ✓ Hydraulically adjustable tracks width: more stability and traction to move around the building site or rough terrain.
- ✓ State-of-the-art removable control panel: fast and versatile use of the machine.
- ✓ Proportional and simultaneous electro-hydraulic controls: efficiency and safety for operators.
- ✓ Automatic levelling outriggers: maximum easiness of use and safety.
- ✓ Permanent weight control device and momentum device for improved safety and performance.
- ✓ Slewing 360° (not continuous): outstanding aerial accessibility in any work situation.
- ✓ Basket rotation $\pm 62^\circ$: complete placement on working site in any condition.
- ✓ Compact size, with limited overall outrigger footprint.
- ✓ Engine guarded for safety and working protection.
- ✓ Aluminium platform 1.40x0.70x1.10 m.
- ✓ Innovative design with fully enclosed structure.



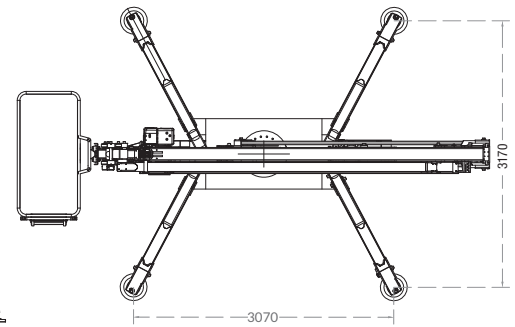
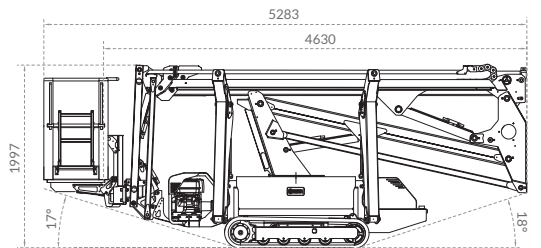
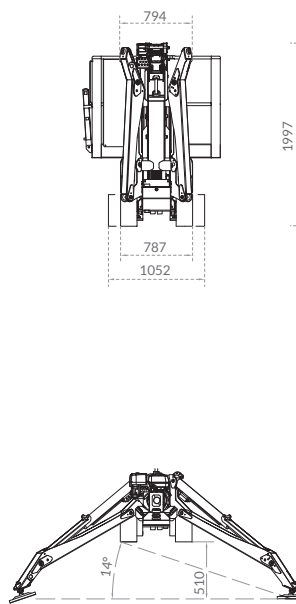
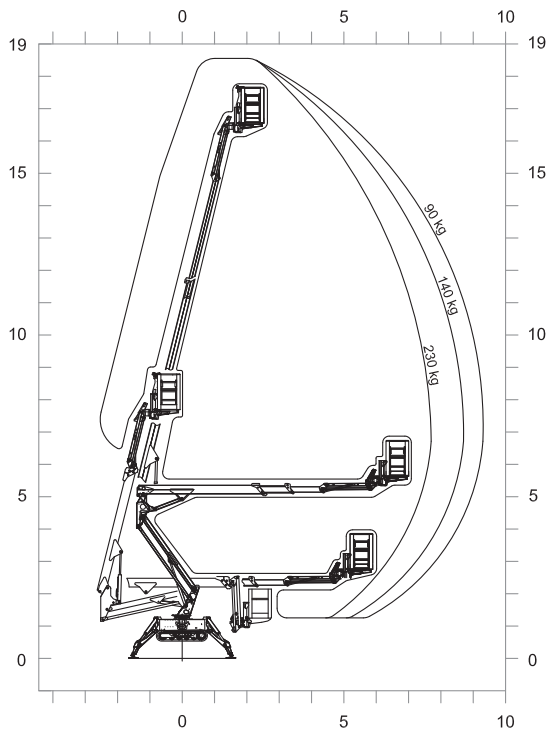
Basket mounting system designed for easiness of assembly.



Compactness of the jib assembly hosting both the load cell and basket rotation system.



Rugged engine guard for improved protection.



IMR 19 SA EVO		
Working height	m	19
Platform height	m	17
Side outreach	m/kg	7.7 / 230 - 8.7 / 140 - 9.3 / 90
Up & Over	m	5
Turret slewing	(°)	360 (not continuous)
Basket dimensions	m	1.40 x 0.70 x 1.10
Overall outrigger footprint	m	3.07 x 3.17
Driving speed	km/h	2
Gradeability	%	32
Platform capacity	kg	230
Electric motor	V/kW	230 / 2.2
Petrol engine Honda GX390	kW/rpm	8.2 / 3600
Diesel engine Yanmar L100N	kW/rpm	6.5 / 3600
Transport length (without basket)	m	5.30 (4.60)
Transport width (with extended tracks)	m	0.79 (1.06)
Stowed height (with outrigger pads)	m	1.99 (2.10)
Total weight of the machine	kg	2435 (petrol) / 2465 (diesel)



Compact dimensions for enhanced accessibility in any working site.